

シリコンフォトリクス技術を使った 超小型・低消費電力100G/s光トランシーバ

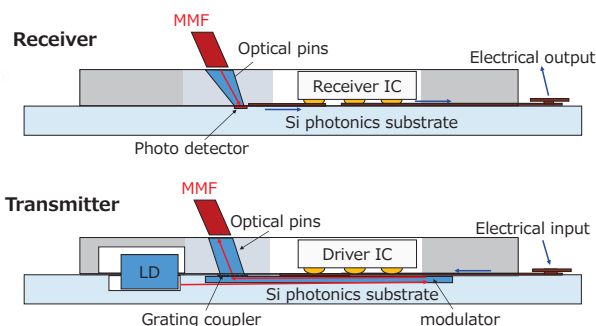
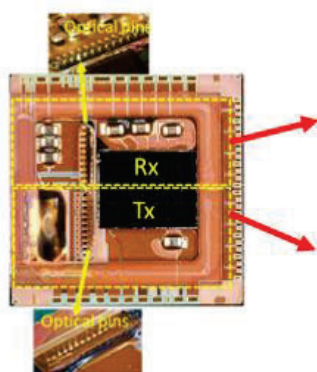
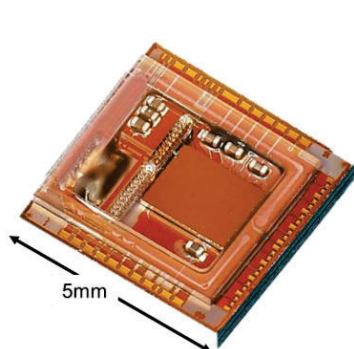
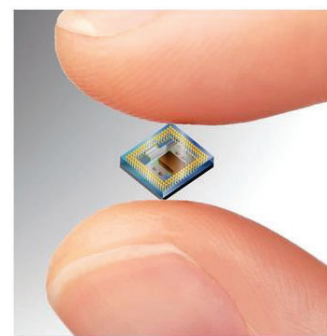
Ultra small Optical Transceiver by silicon Photonics Technology

OPTICAL I/O CORE

PAA-XW8001-ESA (Engineering Sample)

4-Channel Transmitter / Receiver Parallel Optical Modules

- 4 channel transmitter and 4 channel receiver Integrated module
- High Channel Capacity: 25Gbps x 4 Channels
- High density: 5.0 mm X 5.0 mm size.
- Low power consumption per Gbps: < 10 mW/Gbps for TX-RX pair
- 1.3-um Laser array in transmitter; PD array in receiver
- Three power supplies, 1.0 V, 1.1 V and 3.3 V
- Controlled by quasi-I2C
- -40 C to 85 C case temperature operating range



Products



Transceiver chip

Put in your idea



Embedded module

